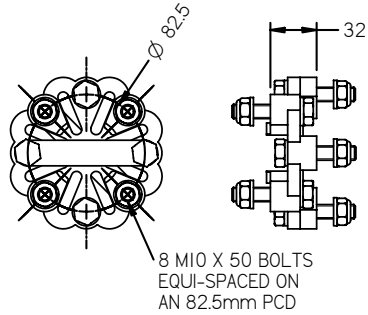
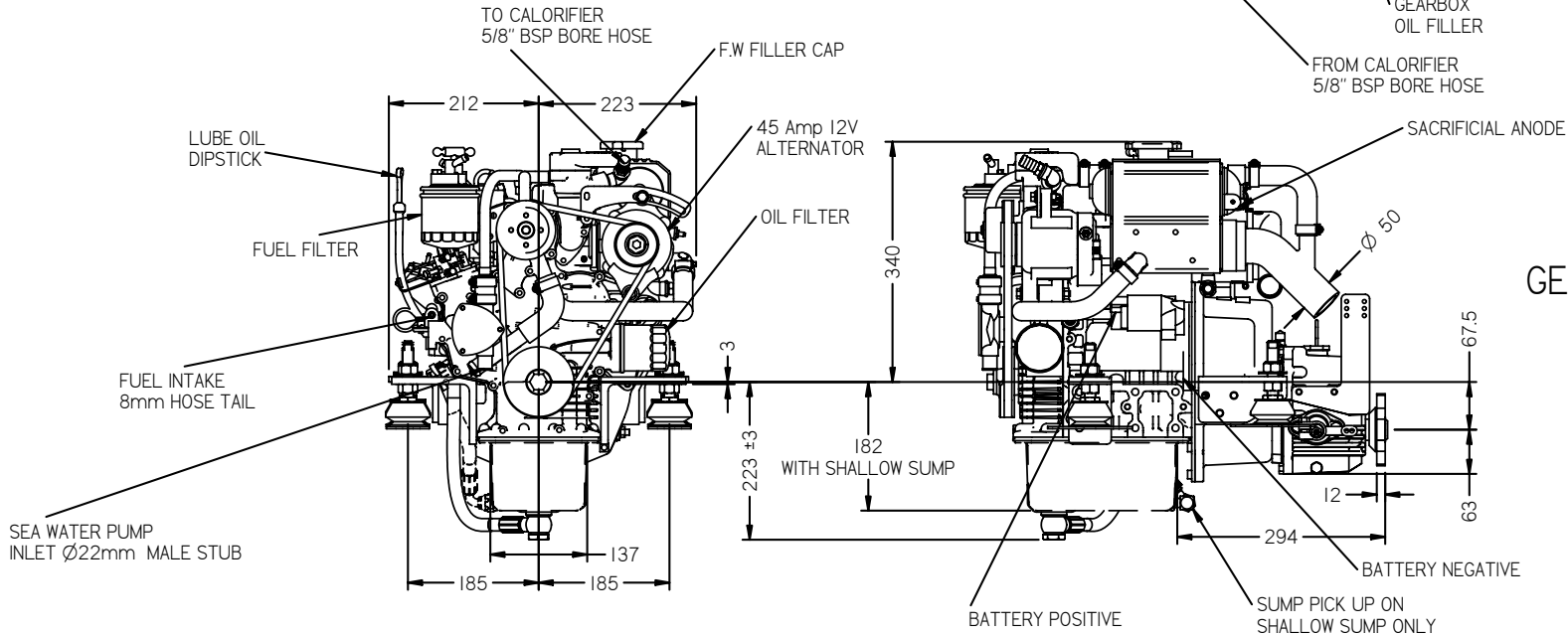
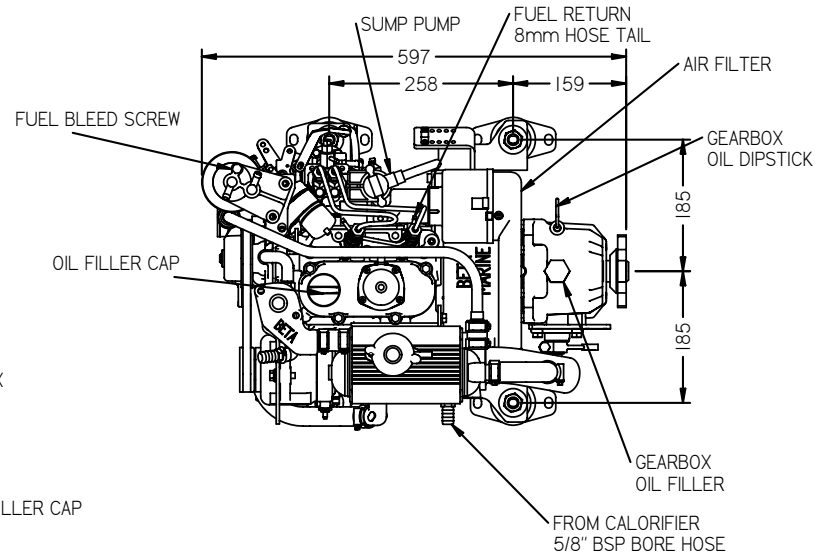
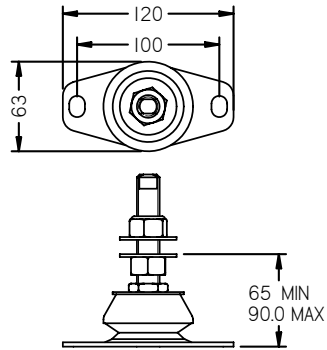


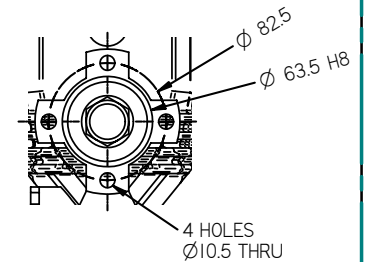
FLEXIBLE COUPLING DETAILS



FLEXIBLE MOUNT DETAILS



GEARBOX OUTPUT



REV	DESCRIPTION	DATE	APP'D	DRAWN	NOTES
01					

TITLE **BETA 16 (BZ602) HEAT EXCHANGE  
TMC40 GEARBOX**

DIMENSIONS IN MM (INCH)  
DO NOT SCALE

**BETA MARINE**

BETA MARINE LTD.  
MERRETT'S MILLS,  
BATH ROAD,  
SOUTH WOODCHESTER,  
STROUD, GLOS. GL5 5EU

TEL: (01453) 835282 FAX: (01453) 835284

DRAWN BY: TW  
CHECKED BY: -

SIZE A4  
SCALE

DWG NO. 100-06496  
PAGE 1 of 1

REV 00  
DATE 18/01/2006